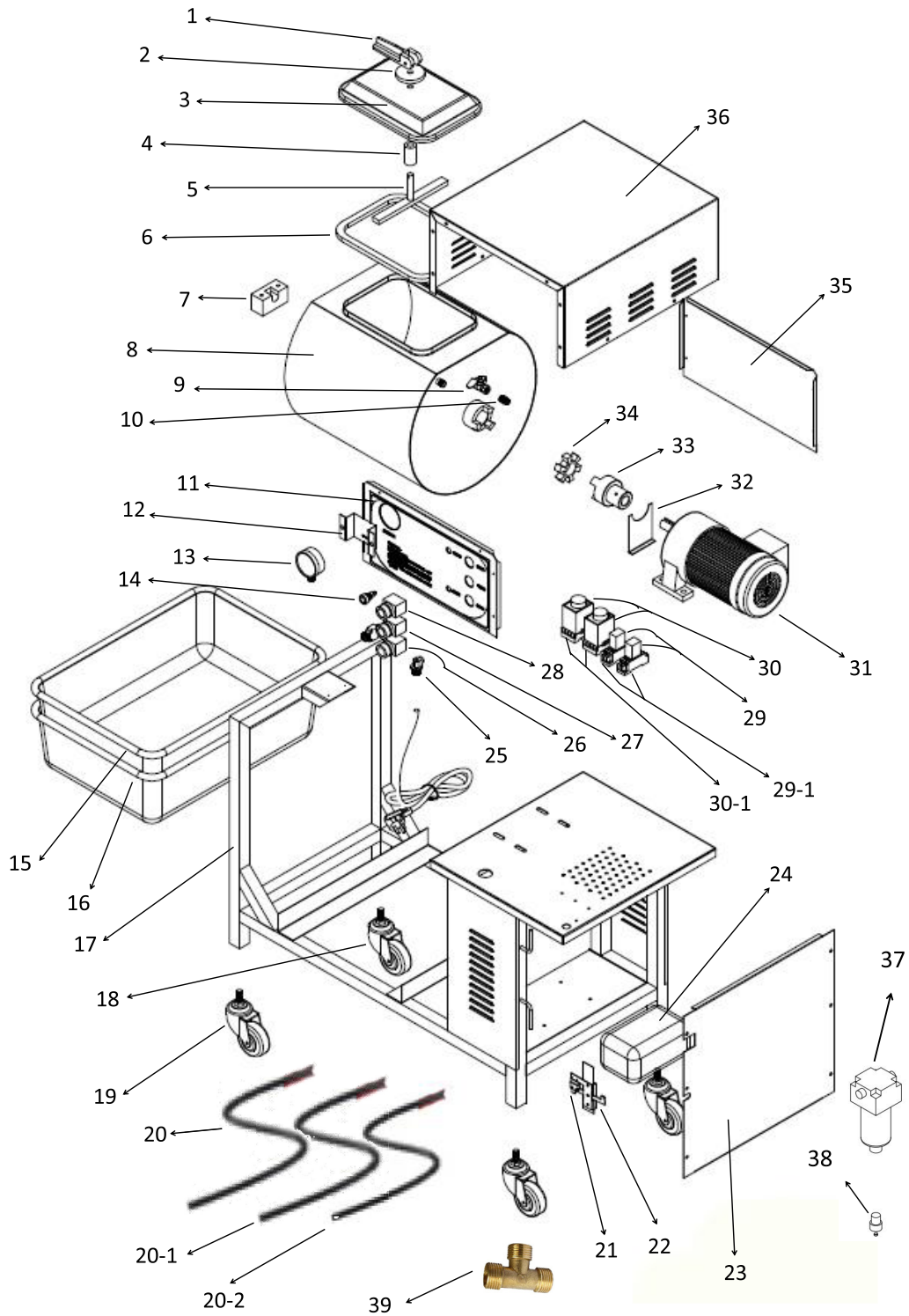


Parts Breakdown

Model MM-CN-0040 41514



Parts Breakdown

Model MM-CN-0040 41514

Item No.	Description	Position	Item No.	Description	Position	Item No.	Description	Position
79193	Handle for Bucket Cover for 41514	1	79208	Square Pot without Holes for 41514	16	79221	Timer for 41514	29
79194	Handle Gasket for 41514	2	79209	Frame for 41514	17	79222	Timer Socket for 41514	29-1
79195	Bucket Lid for 41514	3	79210	Wheel with Lock for 41514	18	79223	Relay for 41514	30
79196	Lid Brace for 41514	4	79211	Wheel without Lock for 41514	19	79224	Relay Socket for 41514	30-1
79197	Lid Hook for 41514	5	79212	Exhaust Pipe Connected to Bucket for 41514	20	79225	Rotate Motor for 41514	31
79198	Lid Seal for 41514	6	AE667	Exhaust Pipe Connected to Pressure Gauge for 41514	20-1	79226	Transmission Shaft Support for 41514	32
79199	Bucket Support for 41514	7	AE668	Exhaust Pipe Connected to Vacuum Pump for 41514	20-2	79227	Transmission Shaft for 41514	33
79200	Bucket for 41514	8	79213	Proximity Switch for 41514	21	79228	Shaft Gasket for 41514	34
79201	Exhaust Valve for 41514	9	79214	Exhaust Pipe Hook (Proximity Handle) for 41514	22	79229	Back Board for 41514	35
79202	Exhaust Valve Connector for 41514	10	79215	Board for Vacuum Pump Box for 41514	23	79230	Electric Box Shell for 41514	36
79203	Front Board for 41514	11	79216	Vacuum Pump for 41514	24	AD666	Air Filter for 41514	37
79204	Pressure Gauge Holder for 41514	12	79217	Reset Switch for 41514	25	AD667	Air Filter Connector for 41514	38
79205	Pressure Gauge for 41514	13	79218	Vacuum Pump Switch (Green) for 41514	26	AE669	Tee to Combine the Three Pipes for 41514	39
79206	Indicator for 41514	14	79219	Rotate Switch (Green) for 41514	27			
79207	Square Pot with Holes for 41514	15	79220	Off Switch (Red) for 41514	28			